



Foundation / Higher Tier

Surface area

Instructions

- Use **black** ink or ball-point pen.
- **Fill in the boxes** at the top of this page with your name, centre number and candidate number.
- Answer **all** questions.
- Answer the questions in the spaces provided – *there may be more space than you need.*
- You must **show all your working.**
- Diagrams are **NOT** accurately drawn, unless otherwise indicated.
- If your calculator does not have a π button, take the value of π to be 3.142 unless the question instructs otherwise.

Information

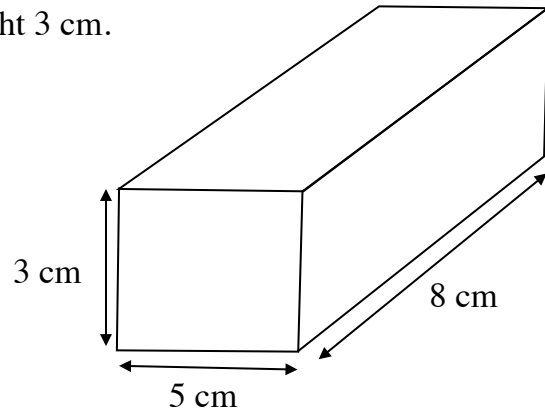
- The marks for **each** question are shown in brackets- *use this as a guide as to how much time to spend on each question.*

Advice

- Read each question carefully before you start to answer it.
- Keep an eye on the time.
- Try to answer every question.
- Check your answers if you have time at the end.

1. A cuboid has length 8 cm, width 5 cm and height 3 cm.

Work out its surface area.



.....
 cm^2

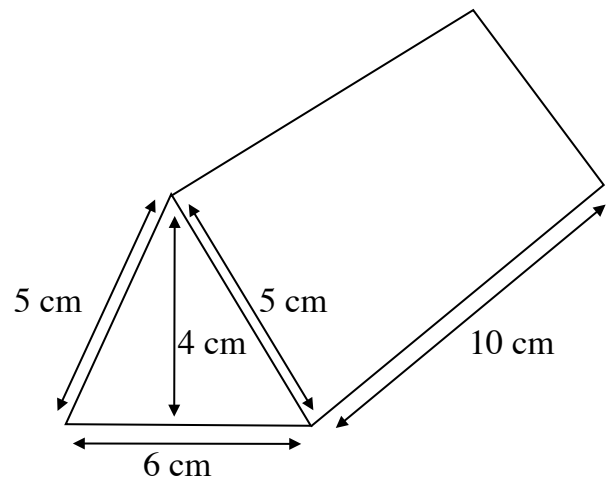
(Total for Question 1 is 3 marks)

2. A triangular prism has a base 6 cm and height 4 cm.

The length of the prism is 10 cm.

The other two sides of the triangle are both 5 cm.

Work out the surface area.



.....
 cm^2

(Total for Question 2 is 3 marks)

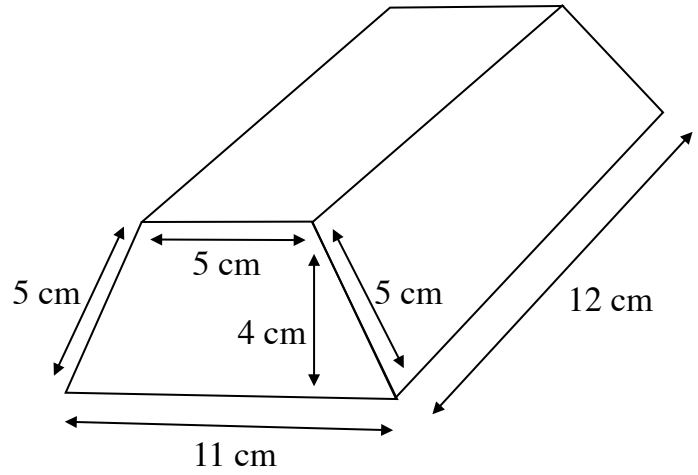
3. The cross-section of a prism is a trapezium with parallel sides 5 cm and 11 cm.

The height of the trapezium is 4 cm.

The other two sides are both 5 cm.

The length of the prism is 12 cm.

Work out the surface area.

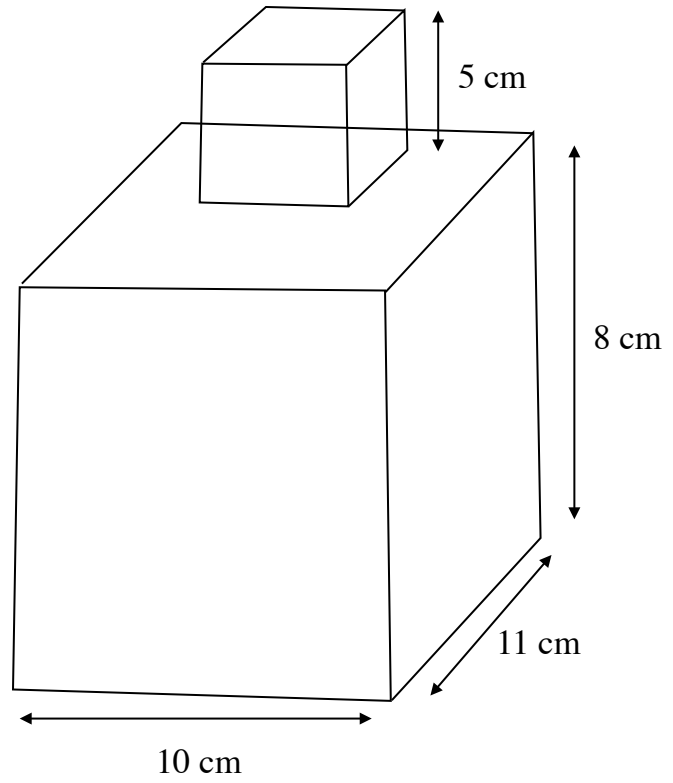


cm^2

.....
(Total for Question 3 is 3 marks)

4. A solid is made from a cube on top of a cuboid.

Work out the surface area of the solid.



cm^2

.....
(Total for Question 4 is 3 marks)

5. A cube has a volume of 125 cm^3 .

Work out the surface area of the cube.

.....
 cm^2

(Total for Question 5 is 3 marks)

6. A cuboid has a volume of 192 cm^3 .

Its length is 8 cm and width is 6 cm.

Then find the surface area of the cuboid.

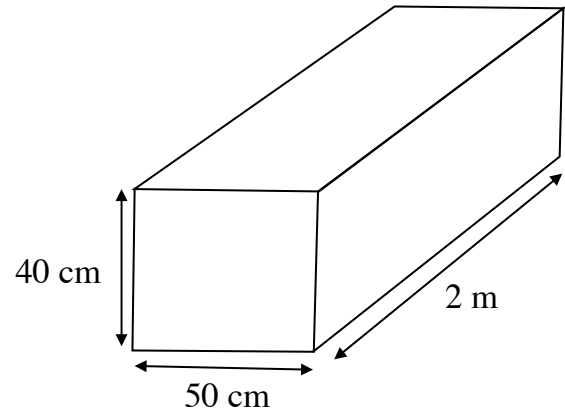
.....
 cm^2

(Total for Question 6 is 4 marks)

7. A cuboid has a length of 2 m, a width of 50 cm and a height of 40 cm.

Work out the surface area

Give your answer in m^2 .



m^2

.....
(Total for Question 7 is 3 marks)

8. A cuboid of length of 30 cm, width of 20 cm and height of 10 cm is wrapped in paper.

Wrapping paper costs £0.05 per cm^2 .

Work out the cost of wrapping the cuboid.

£

.....
(Total for Question 8 is 4 marks)
